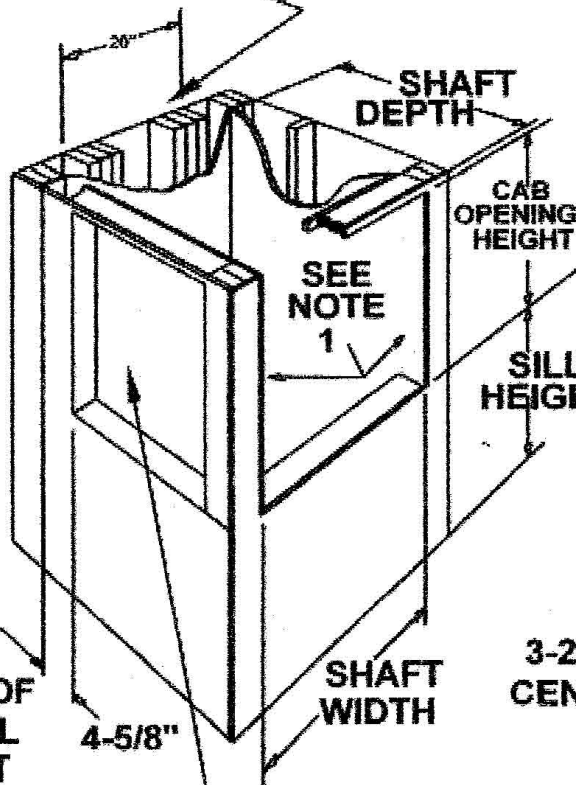


LOWER SILL OF HIGHEST OPENING.

3-2 X 4 STUDS, FULL HEIGHT AS SHOWN

TOTAL LIFT

**SHAFT PREPARATION  
VERTICAL VALET DUMBWAITER  
90 DEGREE DOORS**



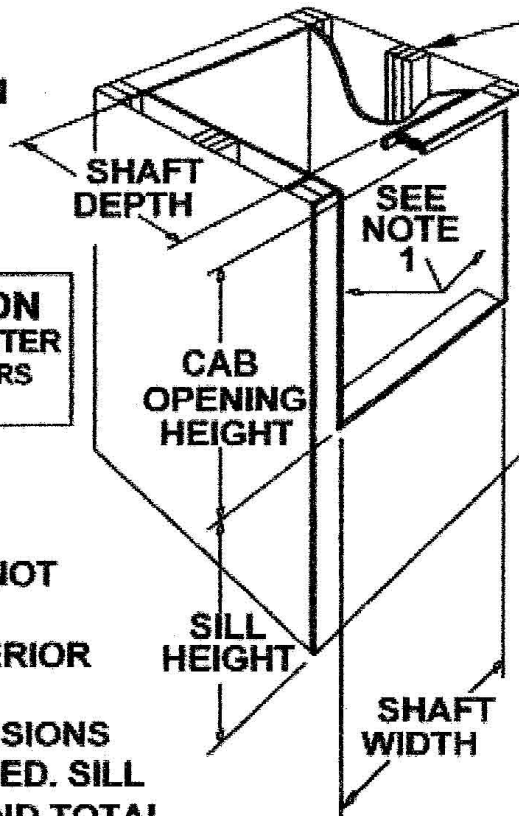
SEE NOTE 2

ELECTRO-MECHANICAL INTERLOCK MOUNTS IN THIS AREA, AFTER DOOR FRAME IS INSTALLED. THIS IS FOR A RIGHT HAND DOOR, ON OPPOSITE SIDE FOR LEFT HAND DOOR.

3-2 X 4 STUDS, FULL HEIGHT. ON CENTERLINE OF EACH SIDE WALL

IDENTICAL CONSTRUCTION ON OPPOSITE WALL IF DOOR IS REQUIRED AT THAT LOCATION.

**SHAFT PREPARATION  
VERTICAL VALET DUMBWAITER  
SINGLE & OPPOSITE DOORS**



SEE NOTE 2

**NOTES:**

1. EXTEND SHEETROCK ON EACH SIDE, TO FRONT SURFACE.
2. EXTERIOR DOORS AND FRAMES NOT SUPPLIED BY ULTIMATE DIE.
3. INSULATE AND SHEETROCK INTERIOR OF SHAFT.
4. SHAFT DEPTH AND WIDTH DIMENSIONS ARE AFTER SHEETROCK IS APPLIED. SILL HEIGHT, CAB OPENING HEIGHT AND TOTAL LIFT, ARE ROUGH DIMENSIONS.

**ULTIMATE DIE  
CORPORATION**  
TAMPA, FLORIDA  
1-800-825-3880.

**SHAFT PREPERATION**

REVISED 3-1-07

SHFTPREP